

Stainless Steel Counter



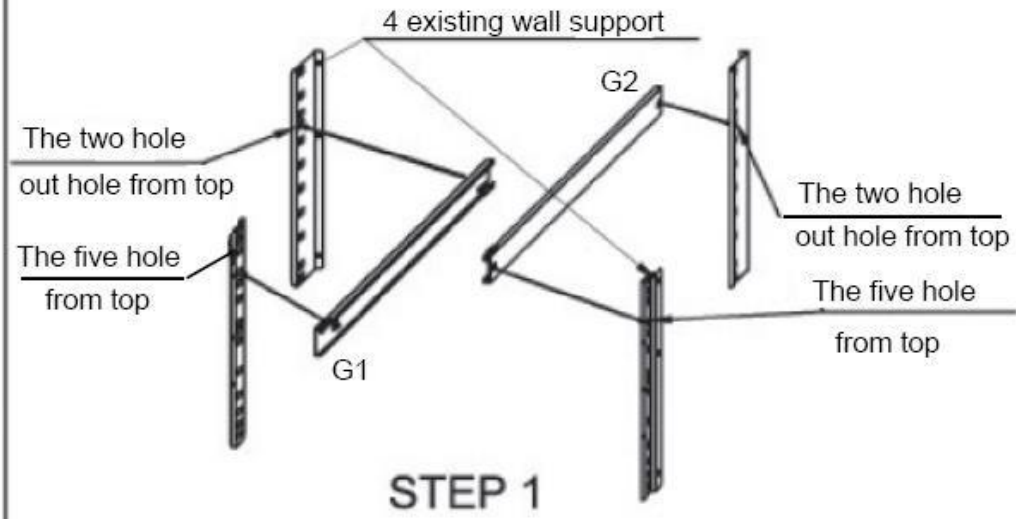
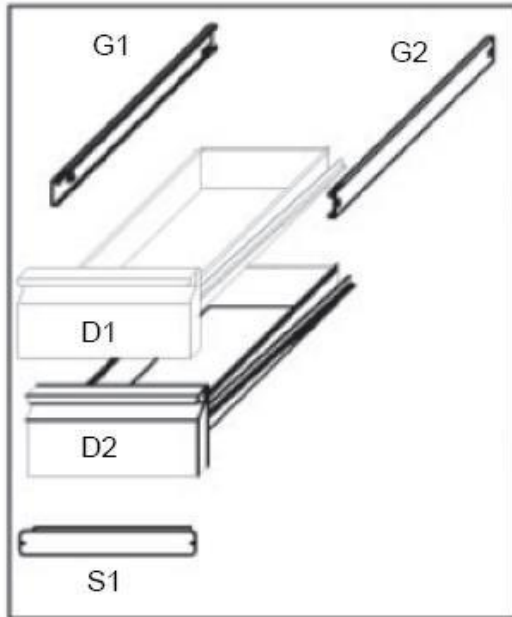
**Model:CR1360G,CR1800G,
CR2230G,CR1800FT-6D**



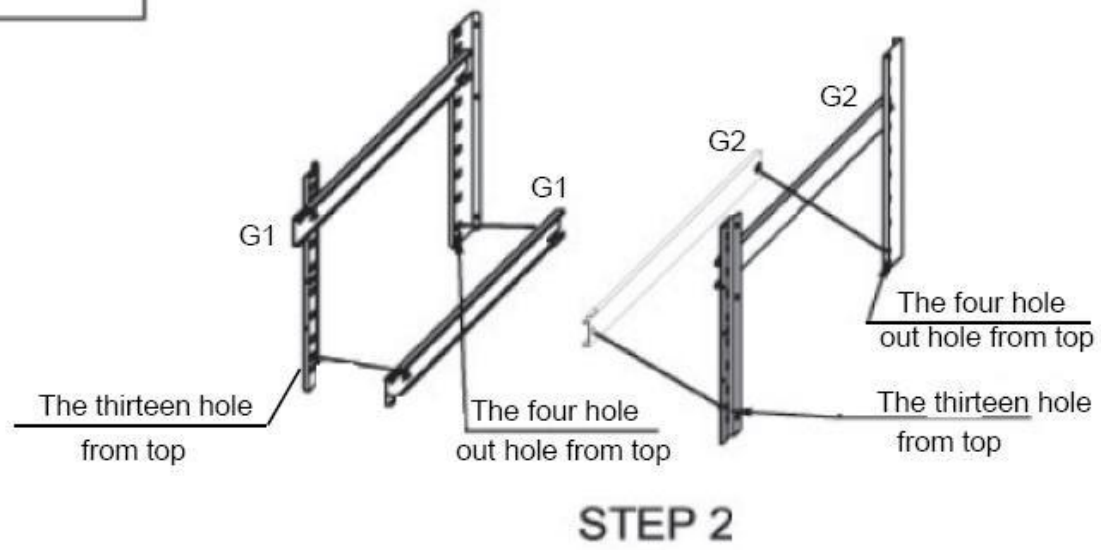
Installation, Operation & Maintenance Manual

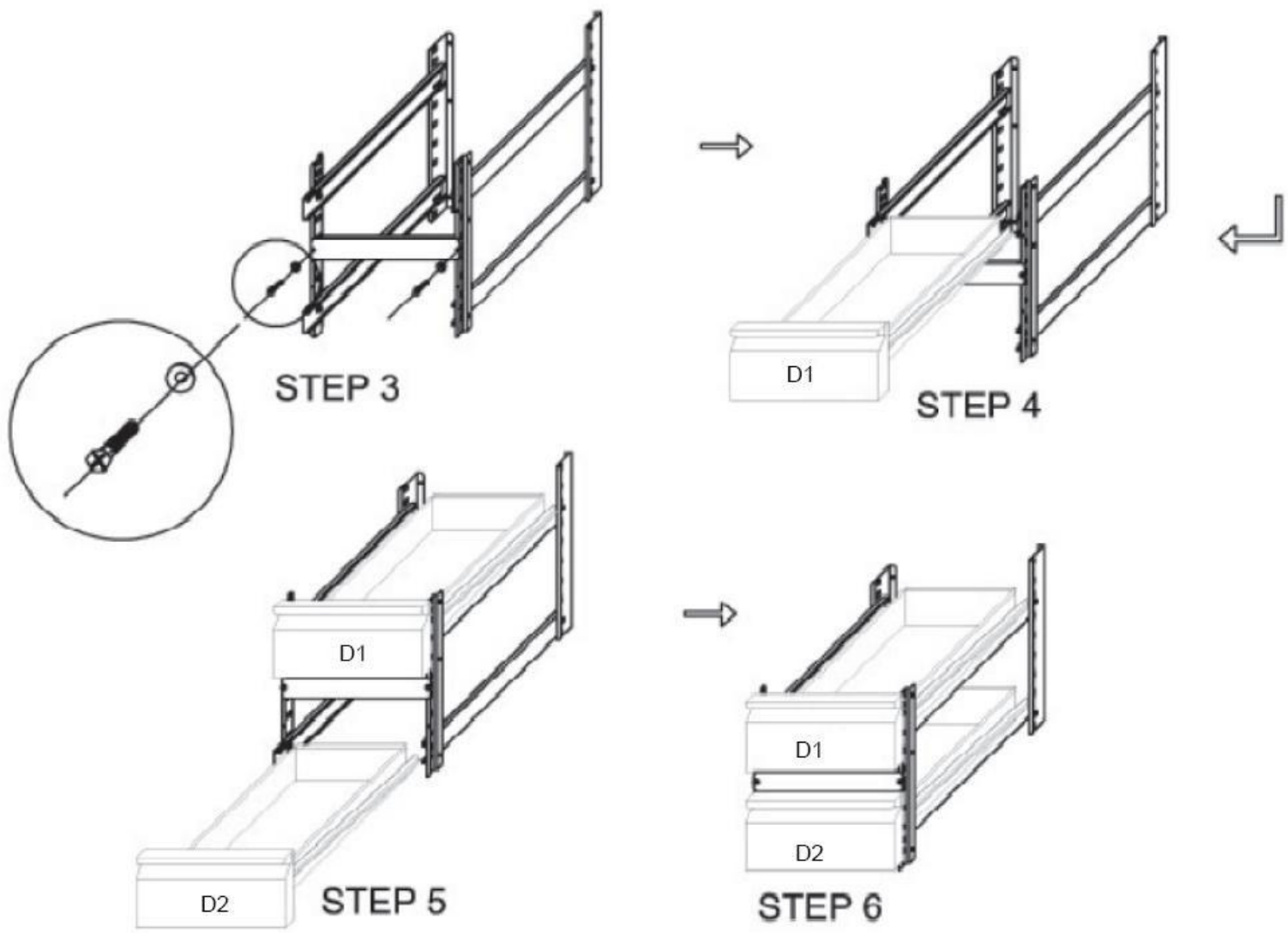
(HC Gas R290 used)

SET2 DRAWER ASSEMBLY GUIDE

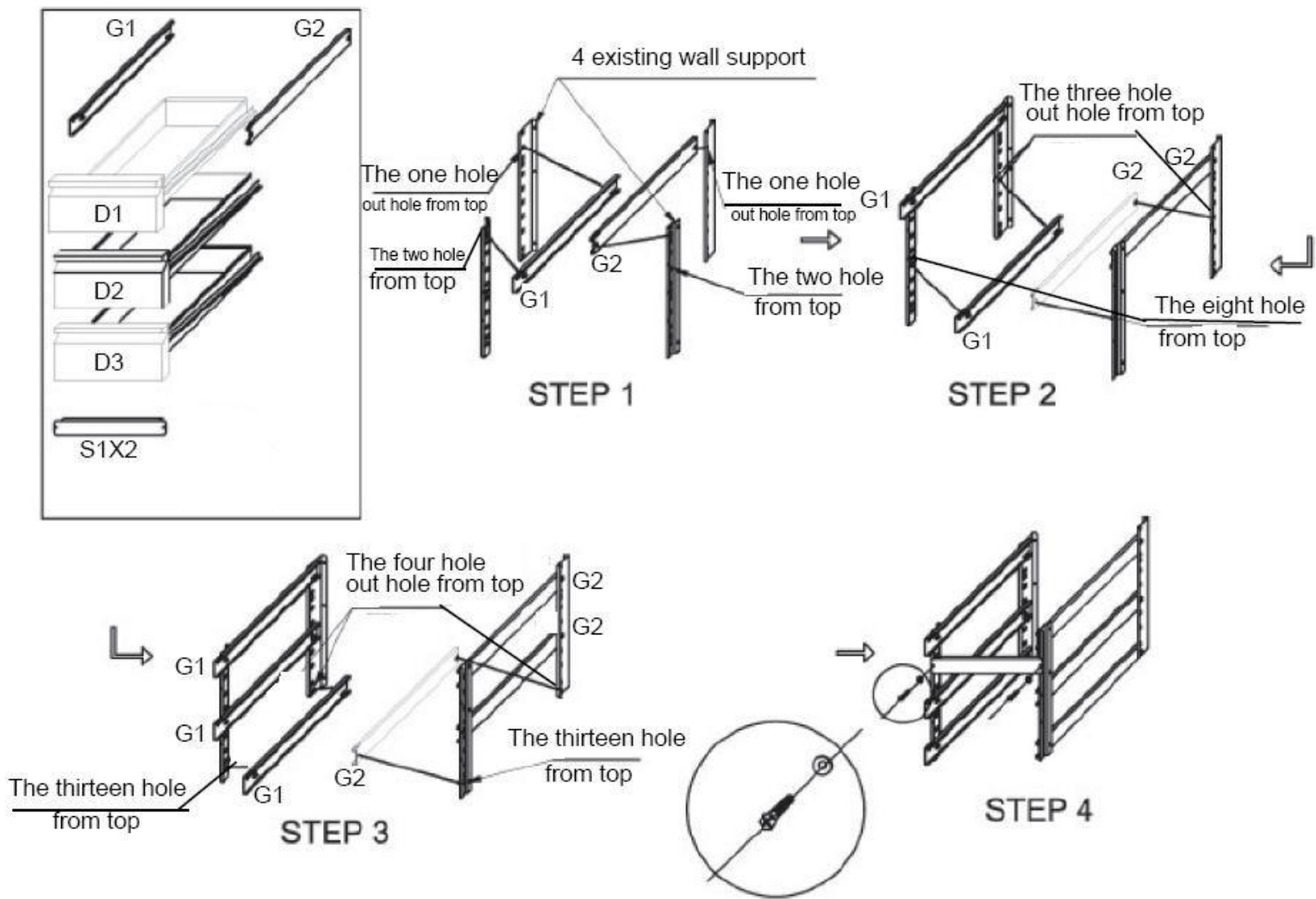


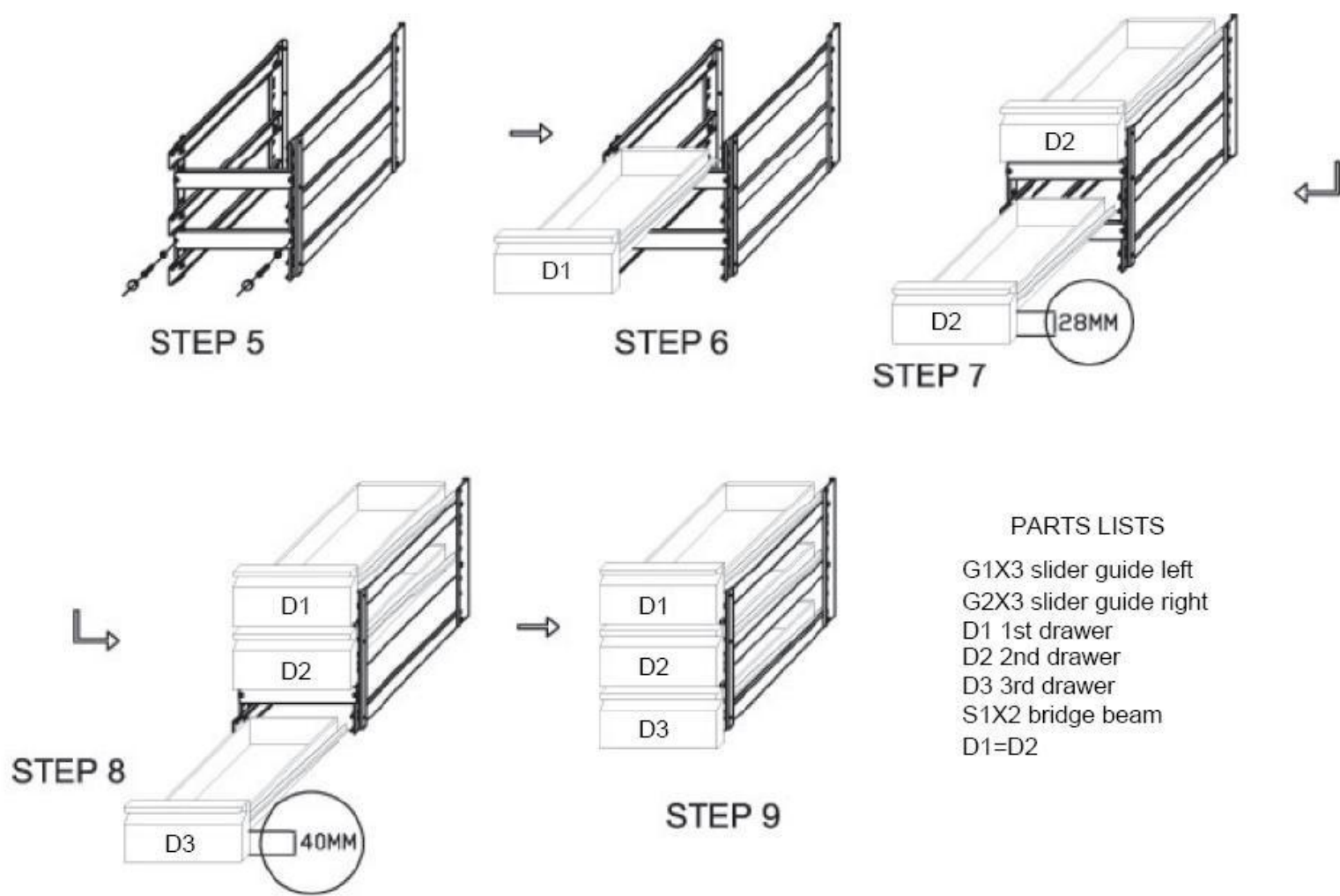
PARTS LISTS
 G1X2-slider guide left
 G2X2-slider guide right
 D1-1st drawer
 D1-2ed drawer
 S1-bridge beam
 D1=D2





SET 3 DRAWER ASSEMBLY GUIDE





Safety

- Position on a flat, stable surface.
- A service agent/qualified technician should carry out installation and any repairs, if required. Do not remove any components or service panels on this product. Consult Local and National Standards to comply with The following:
 - Health and Safety at Work Legislation
 - BS EN Codes of Practice
 - Fire Precautions
 - IEE Wiring Regulations
 - Building Regulations
- DO NOT use jet/pressure washers to clean the appliance.
- DO NOT use the appliance outside.
- DO NOT use this appliance to store medical supplies.
- DO NOT use electrical appliances inside the appliance. (e.g. heaters, ice-cream makers etc.)
- DO NOT stand or support yourself on the base, drawers or doors.
- DO NOT allow oil or fat to come into contact with the plastic components or door seal. Clean immediately if contact occurs.
- Bottles that contain a high percentage of alcohol must be sealed and placed vertically in the refrigerator.
- Always carry, store and handle the appliance in a vertical position and move by holding the base of the appliance.
- Always switch off and disconnect the power supply to the unit before cleaning.
- Keep all packing away from children. Dispose of the packaging in accordance with the regulations of local authorities.
- If the power cord is damaged, it must be replaced by an agent or a recommended qualified technician in order to avoid a hazard.

Introduction

Please take a few moments to carefully read through this manual. Correct maintenance and operation of this machine will provide the best possible performance from your product.

Pack Contents

The following is included:

- Refrigerator or Freezer
- Shelf guides (2 per door)
- Shelves (1 per door)
- Instruction manual

We pride ourselves on quality and service, ensuring that at the time of packing the contents are supplied fully functional and free of damage. Should you find any damage as a result of transit, please contact your dealer immediately.

Installation

Note: If the unit has not been stored or move in an upright position, let it stand upright for approximately 12 hours before operation. If in doubt allow to stand.

1. Remove the appliance from the packaging. Make sure that all protective plastic film and coatings are thoroughly removed from all surfaces.
2. Maintain a distance of 20 cm (7 inches) between the unit and walls or other objects for ventilation increase this distance if the obstacle is a heat source.

Note: Before using the appliance for the first time, clean the shelves and interior with soapy water.

3. Set the brakes on the castors to keep the appliance in position OR level the appliance by adjusting the screw feet.

Fitting the Shelves

1. Place one set of shelf guides on either side of the cabinet at the desired height.
2. Slide the shelf into place.
3. Repeat for the remaining shelves.

Note: This is vital for ensuring correct drainage of condensation.

Operation

Storing Food

To get the best result from your appliance, follow these instructions:

- Only store foodstuffs in the appliance when it has reached the correct operating temperature.
- Do not place uncovered hot food or liquid inside the appliance.
- Wrap or cover food where possible.
- Do not obstruct the fans inside the appliance.
- Avoid opening the doors for prolonged periods of time.

Turning on

1. Close the door(s) of the appliance.
2. Ensure the power switch is set to [O] and turn on at the socket.
3. Turn on the power switch [I]. The current temperature within the appliance is displayed.

Manual Defrost

The appliance will automatically run a defrost cycle every six hours.

Note: The cycle starts from the time the appliance is initially powered up.

To manually defrost the appliance:

1. Press and hold the DEFROST button for 5 seconds.
2. The defrost cycle will start immediately and the Defrost LED illuminates. The defrost will last a maximum of 30 minutes

Note: Starting a manual defrost also resets the automatic defrost timer.

3. The next automatic defrost will start six hours after the manual defrost has finished.

Cleaning, Care & Maintenance

- Switch off and disconnect from the power supply before cleaning.
- Clean the interior of the appliance as often as possible.
- Do not use abrasive cleaning agents. These can leave harmful residues. Do not use wire wool when cleaning the stainless.
- Clean the door seal with water only.
- Always wipe dry after cleaning.
- Do not allow water used in cleaning to run through the drain hole into the evaporation pan.
- Take care when cleaning the rear of the appliance. Sharp edges can cut.
- An agent or qualified technician must carry out repairs if required.

Cleaning the Condenser

Periodically cleaning the condenser can extend the life of the appliance. We recommend that our agent or qualified technician clean the condenser.

Troubleshooting

If your appliance develops a fault, please check the following table before making a call to your retailer.

| Fault | Probable Cause | Action |
|---|---|---|
| The appliance is not working | The unit is not switch on | Check the unit is plugged in correctly and switched on |
| | Plug and lead are damaged | Call your agent or qualified technician |
| | Fuse in the plug has blown | Replace the fuse |
| | Power supply turned off | Check the power supply circuit breaker |
| | Internal wiring fault | Call your agent or qualified technician |
| The appliance turns on, but the temperature is too high/low | Too much ice on the evaporator | Defrost the appliance |
| | Condenser blocked with dust | Call your agent or qualified technician |
| | Doors are not shut properly | Check doors are shut and seals are not damaged |
| | Appliance is located near a heat source or air flow to the condenser is being interrupted | Move the refrigerator to a more suitable location |
| | Ambient temperature is too high | Increase ventilation or move appliance to a cooler position |
| | Unsuitable foodstuffs are being stored in the appliance | Remove any excessive hot foodstuffs or blockages to the fan |
| | Appliance is overloaded | Reduce the amount of food stored in the appliance |

| | | |
|---------------------------------|--|---|
| The appliance is leaking water | The appliance is not properly levelled | Adjust the screw feet to level the appliance(If applicable) |
| | The discharge pipe is blocked | Clear the discharge pipe |
| | The flow of water to the drain is obstructed | Clear the floor of the appliance (if applicable) |
| | The water container is damaged | Call your agent or qualified technician |
| | The drip tray is over flowing | Empty the drip tray (if applicable) |
| The appliance is unusually loud | Loose nut/screw, fan faulty | Check and tighten all nuts and screws, check the fans |
| | The appliance has not been installed in a level or stable position | Check the installation position and change if necessary |

Electrical Wiring

Appliances are supplied with a 3 pin, moulded, BS1363 plug and lead, with a 13 amp fuse as standard. The plug is to be connected to a suitable mains socket. Appliances are wired as follows:

- Live wire (coloured brown) to terminal marked L
- Neutral wire (coloured blue) to terminal marked N
- Earth wire (coloured green/yellow) to terminal marked E All appliances must be earthed, using a dedicated earthing circuit.

If in doubt consult a qualified electrician.

Electrical isolation points must be kept clear of any obstructions. In the event of any emergency disconnection being required, they must be readily accessible.

R290 refrigerant is used for this equipment.



Caution!

Consult repair manual/owner's guide before attempting to install or service this product. All safety precautions must be followed. Dispose of the unit in accordance with government or local regulations. There is a risk of fire or explosion if the refrigerant piping is punctured. Follow the handling instructions carefully.

Danger!

Risk of fire or explosion. Flammable refrigerant used. To be repaired only by trained service personnel. Do not use mechanical devices to defrost refrigerator. Do not puncture refrigerant piping.



Disposal

EU regulations require refrigeration product to be disposed of by specialist companies who remove or recycle all glasses, metal and plastic components.

Consult your local waste collection authority regarding disposal of your appliance. Local authorities are not obliged to dispose of commercial refrigeration equipment but may be able to offer advice on how to dispose of the equipment locally.

All packaging materials should be disposed of in an environmentally friendly way.

The cardboard may be used as scrap paper. The protective foil and the foam cushions are CFD-free.

Do not allow children to play with the packaging and destroy plastic bags safely.



Environmental protection

Discarded electric appliances are recyclable and should not be discarded in the domestic waste! Please actively support us in conserving resources and protecting the environment by returning this appliance to the collection centre (if available).

Compliance

Parts have undergone strict product testing in order to comply with regulatory standards and specification set by international, independent, and federal authorities.

Products have been approved to carry the following symbol:

